

M24758/2 Straight Conduit Fitting

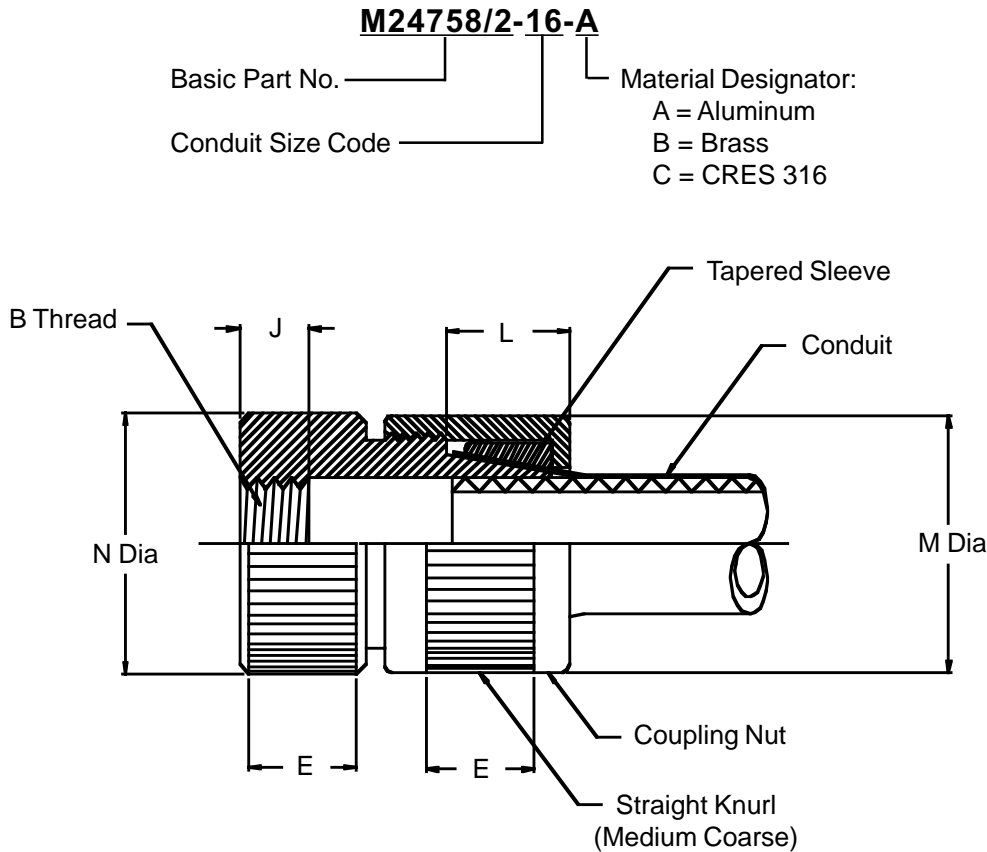


TABLE I

Conduit Size Code	B THREAD (Class 2B)	E KNURL LENGTH ±.06 (15.2)	J THREAD LENGTH		L CONE LENGTH ±.06 (15.2)	M DIA (Maximum)	N DIA (Maximum)
			+06 (15.2)	-0			
02	0.438 - 28 UNEF	.500 (12.7)	.210 (5.3)		.750 (19.1)	.930 (23.6)	.700 (17.8)
03	0.563 - 24 UNEF	.500 (12.7)	.250 (6.4)		.750 (19.1)	1.120 (28.4)	.820 (20.8)
04	0.688 - 24 UNEF	.620 (15.7)	.250 (6.4)		.750 (19.1)	1.250 (31.8)	.970 (24.6)
05	0.813 - 20 UNEF	.620 (15.7)	.310 (7.9)		.750 (19.1)	1.430 (36.3)	1.120 (28.4)
06	0.938 - 20 UNEF	.750 (19.1)	.310 (7.9)		.750 (19.1)	1.620 (41.1)	1.220 (31.0)
08	1.250 - 18 UNEF	.750 (19.1)	.370 (9.4)		1.000 (25.4)	1.810 (46.0)	1.530 (38.9)
10	1.563 - 18 UNEF	.870 (22.1)	.370 (9.4)		1.000 (25.4)	2.180 (55.4)	1.810 (46.0)
12	1.875 - 16 UN	.870 (22.1)	.430 (10.9)		1.000 (25.4)	2.560 (65.0)	2.120 (53.8)
16	2.375 - 16 UN	1.000 (25.4)	.430 (10.9)		1.000 (25.4)	3.060 (77.7)	2.620 (66.5)
20	2.875 - 16 UN	1.000 (25.4)	.430 (10.9)		1.000 (25.4)	3.680 (93.5)	3.120 (79.2)
24	3.375 - 16 UN	1.000 (25.4)	.430 (10.9)		1.000 (25.4)	4.380 (111.3)	3.620 (91.9)

1. The function of the M24758/2 fitting is to terminate flexible shielding conduit and to provide a standard thread for attaching all M24758/9 through M24758/19 fittings.
2. Metric dimensions (mm) are indicated in parentheses.
3. For complete dimensions see applicable Military Specification.